

Garmin 18X – 5hz Update

Parts:

DB-9 serial connector female

https://www.amazon.ca/Uxcell-a15011600ux0286-Adapter-Terminal-Connector/dp/B01736DOS8/ref=sr_1_39?crd=AWFGFBTJ04OU&keywords=db-9+female+wiring&qid=1670160769&sprefix=db-9+female+wiring%2Caps%2C217&sr=8-39



Deutsche DTM – 4 Pin connector – sold complete with both halves – male only required

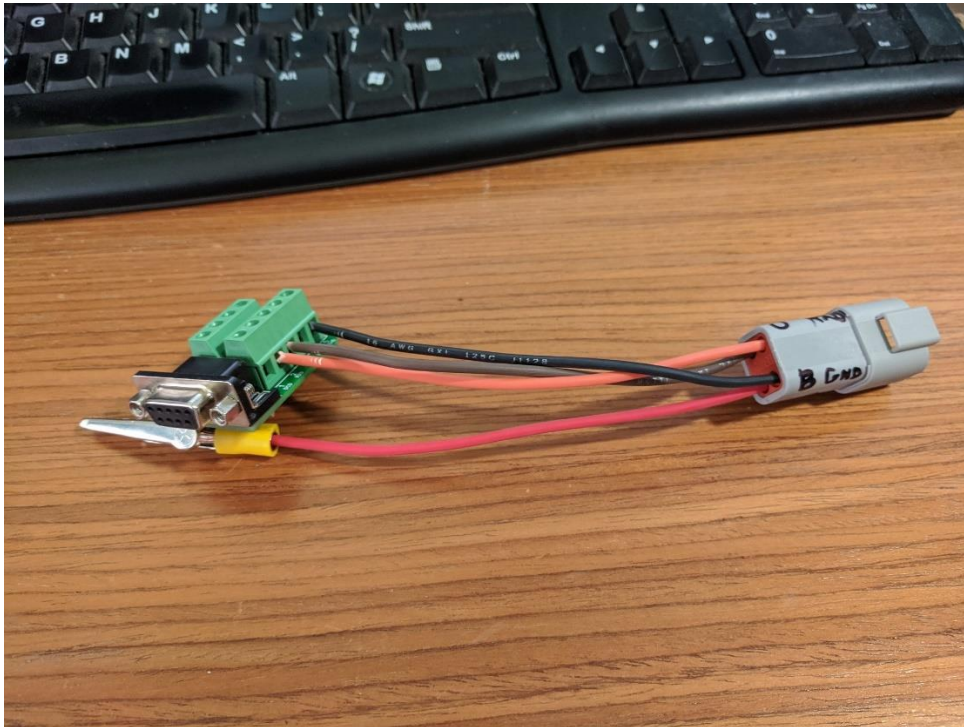
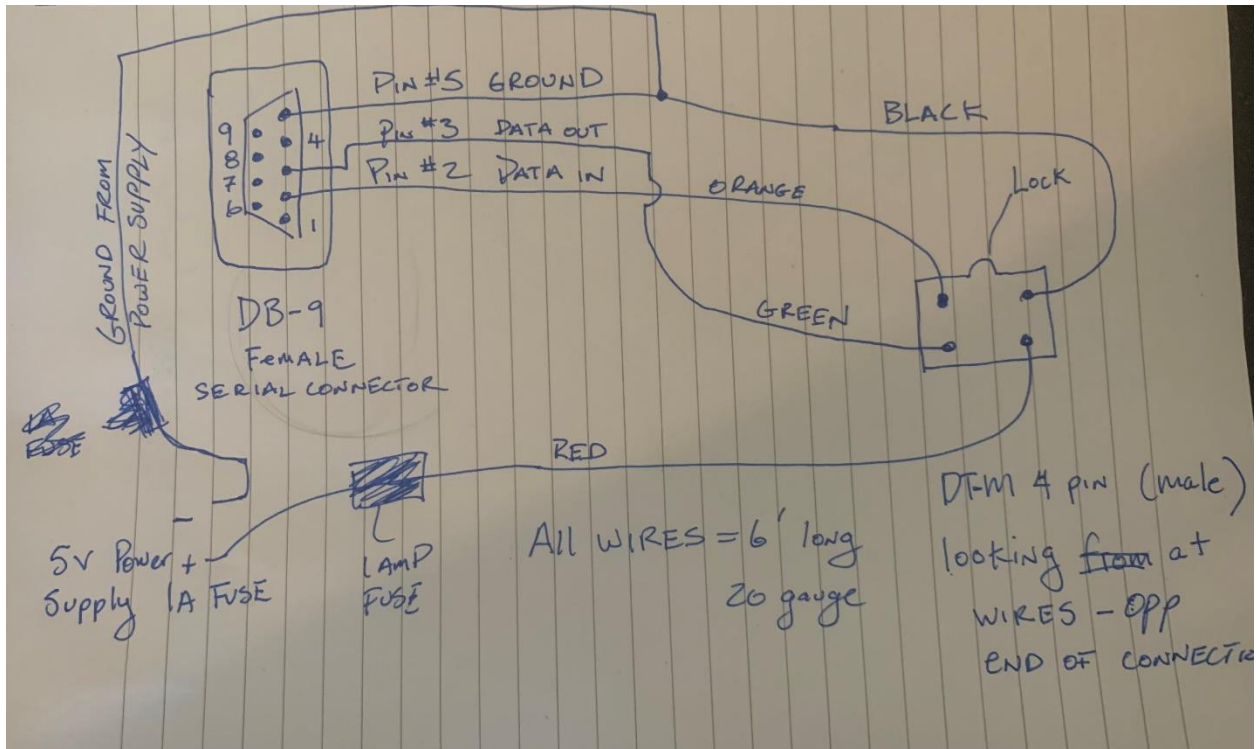


5V power supply with 1A fuse

20GA Wire – 4 lengths of 6' each. Ideally one of Black, Red, Orange and Green

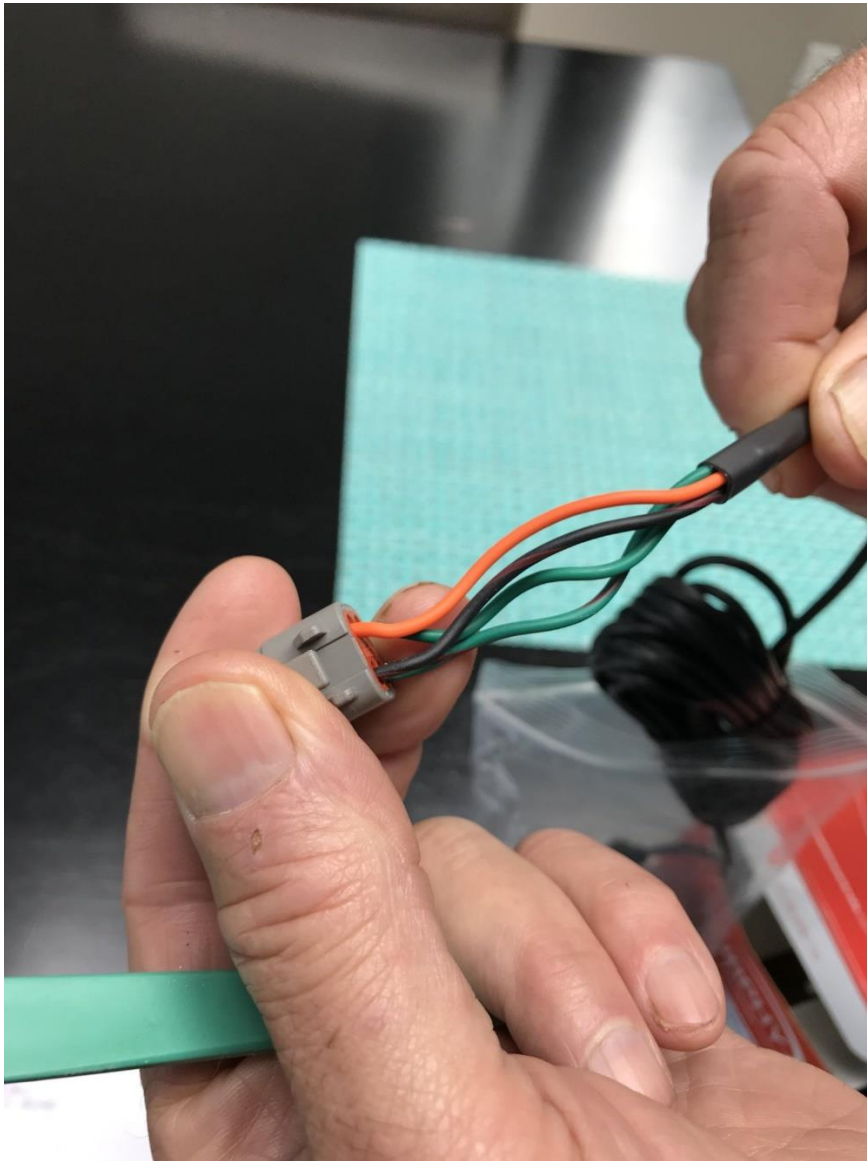
Computer with serial port & male to male serial connecting cable

Wiring:



Note: brown wire goes to green on Zero Off harness (these wires should be 6' long for in-boat updating)

Zero Off Connector to GPS Puck:



Garmin Tech Document

https://static.garmin.com/pumac/GPS_18x_Tech_Specs.pdf

Garmin Wiring Diagram:

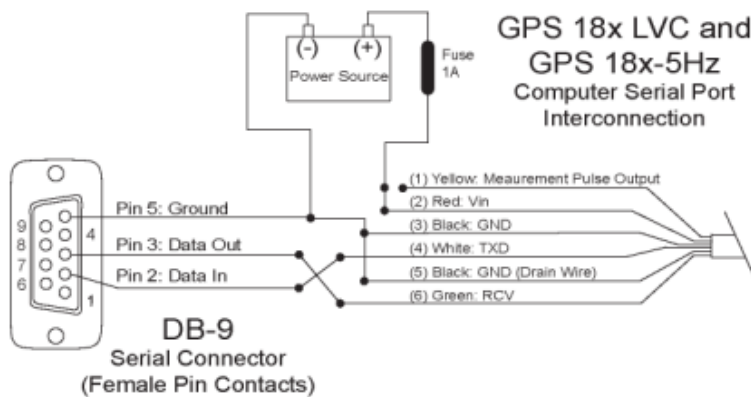


Figure 1: Computer Serial Port Interconnection

Note: this does not match zero off GPS connector wiring

Garmin Software Update Website

Download both of these:

https://www8.garmin.com/support/download_details.jsp?id=4053 SNSRXCFG software version 3.40

https://www8.garmin.com/support/download_details.jsp?id=4065 – ver 4.50 as of Dec 4, 2022

Installation Instructions:

https://www8.garmin.com/support/download_details.jsp?id=4065#Instruct

Extract the exe file for the update program and the region (second link (4065))

Run the SNSRXCFG program. Use the config settings to set the following:

Set the puck to 38400 baud

Select the following sentences:

GPGGA

GPVTG

PGRMF

PGRMV

Choose to update. It will automatically bring up the updater program which will then ask to select a region file which should only have one file.

If it doesn't connect while running the SNSRXCFG program, try shutting the 5V off to the Puck and then repowering the puck.